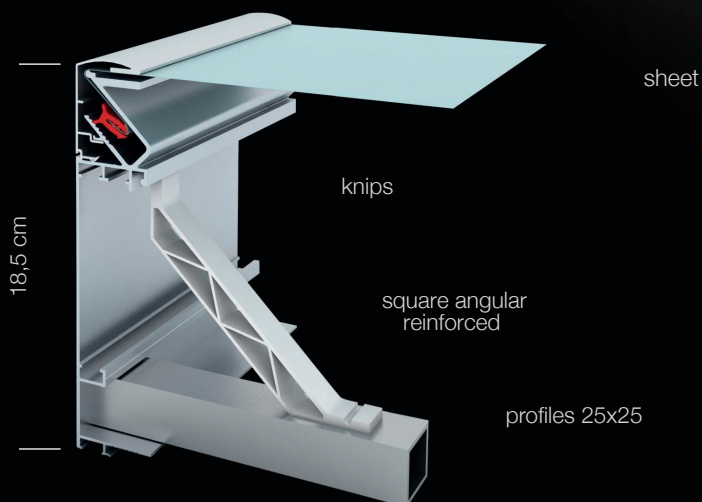


DU-ALL



Du-All single-side is a patented compound from profiles of aluminum subjected to a process of electro-colouring, suitable for the realization of insignia box-bright dual use. Du-All is an integrated solid, Reliable, stylish and sophisticated. Allows the installation of a sign with housing

the PVC sheet printed digitally which is already available on the market with light cuts larger than those installed on media in plexiglass. Thanks all'elettrocolorazione, has excellent grip and defense from atmospheric agents and presents a remarkable ease of assembly and mounting.